

USB B Field

Amphenol Sealed USB-B

Description

Sealed (IP67) USB-B connection system :

- USB-B male plug overmolded on USB2.0 cable
- USB-B female receptacle with 50 mm wires & 5 ways connectors
- Plastic shells
- Thread coupling
- Rear mount Jam Nut receptacle with panel gasket included

Female Receptacle and cap :



Male sealed Plug USB-B / USB-A cordset :



USBBF series is
ROHS compliant

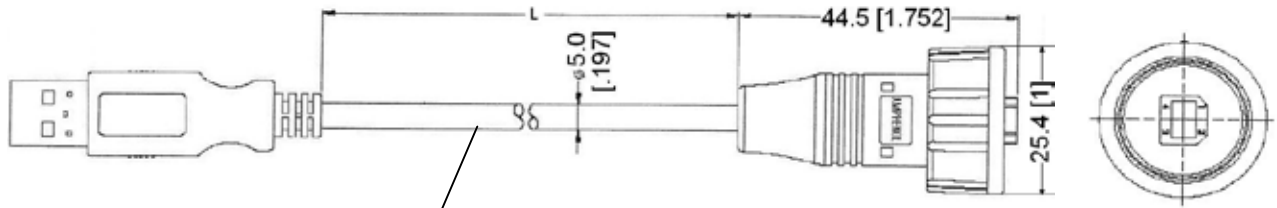
Sealed USB-B !

Applications

- Embedded Computers
- Data Transfert
- Numerical Control Machine

DOC-000066-ANG-B Sept 2006

Plug cordset – Male sealed USB-B / male USB-A (*)



USB 2.0 cable – PVC jacket

Part Numbers :

- L = 1000±50mm [39.37±1.97] - P/N : **USBBF6100**
- L = 2000±50mm [78.74±1.97] - P/N : **USBBF6200**

PIN assignments (Front view) :

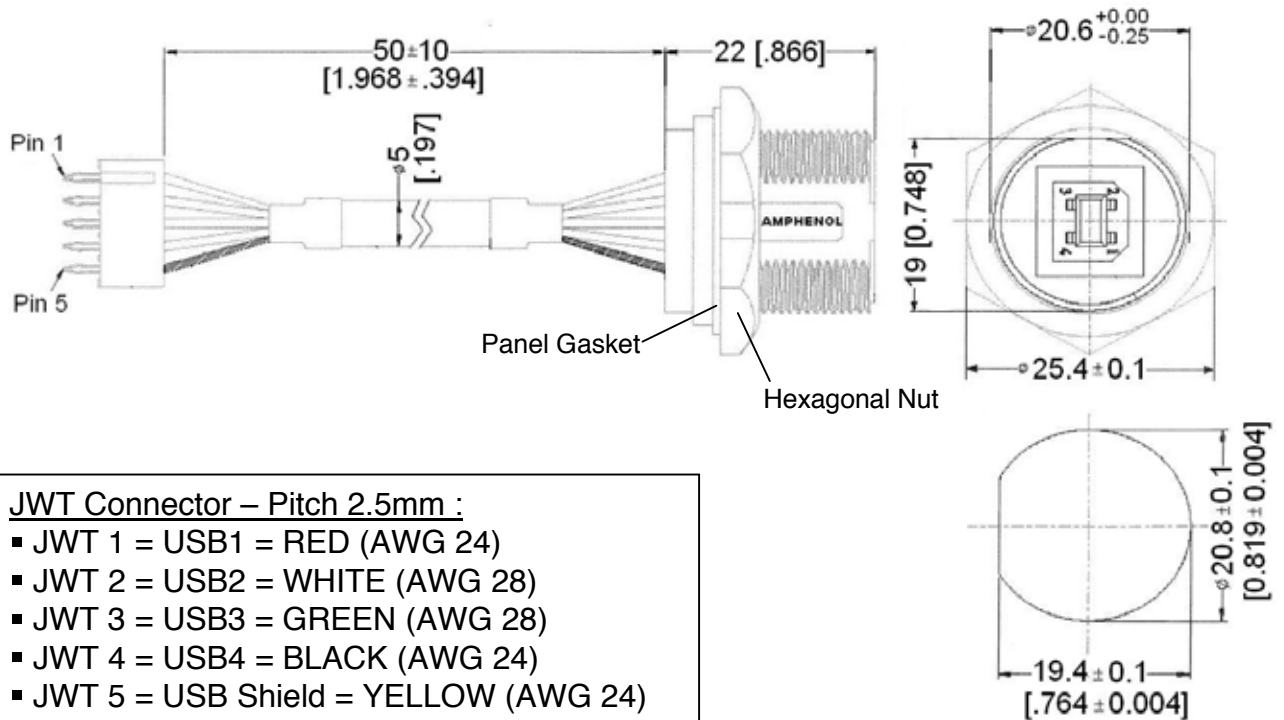
- 1 = RED (AWG 24)
- 2 = WHITE (AWG 28)
- 3 = GREEN (AWG 28)
- 4 = BLACK (AWG 24)

Shield = Drain

(*) To get a sealed USB-A plug, you can use our **USB FTV series**.

Receptacle – Female USB-B

Part Number : **USBBF7**



JWT Connector – Pitch 2.5mm :

- JWT 1 = USB1 = RED (AWG 24)
- JWT 2 = USB2 = WHITE (AWG 28)
- JWT 3 = USB3 = GREEN (AWG 28)
- JWT 4 = USB4 = BLACK (AWG 24)
- JWT 5 = USB Shield = YELLOW (AWG 24)

Panel Drilling

Receptacle Cap

Part Number : **USBBFC7**

