

# REINFORCED USBFTV MEMORY KEYS

(Derived from MIL-DTL-38999 series III specification)



We provide reinforced USB memory keys available in different capacities. They can be used ONLY with our USBFTV series receptacles. When mated on the receptacle, the system is IP67.

**ROHS COMPLIANT**

"N": nickel plating

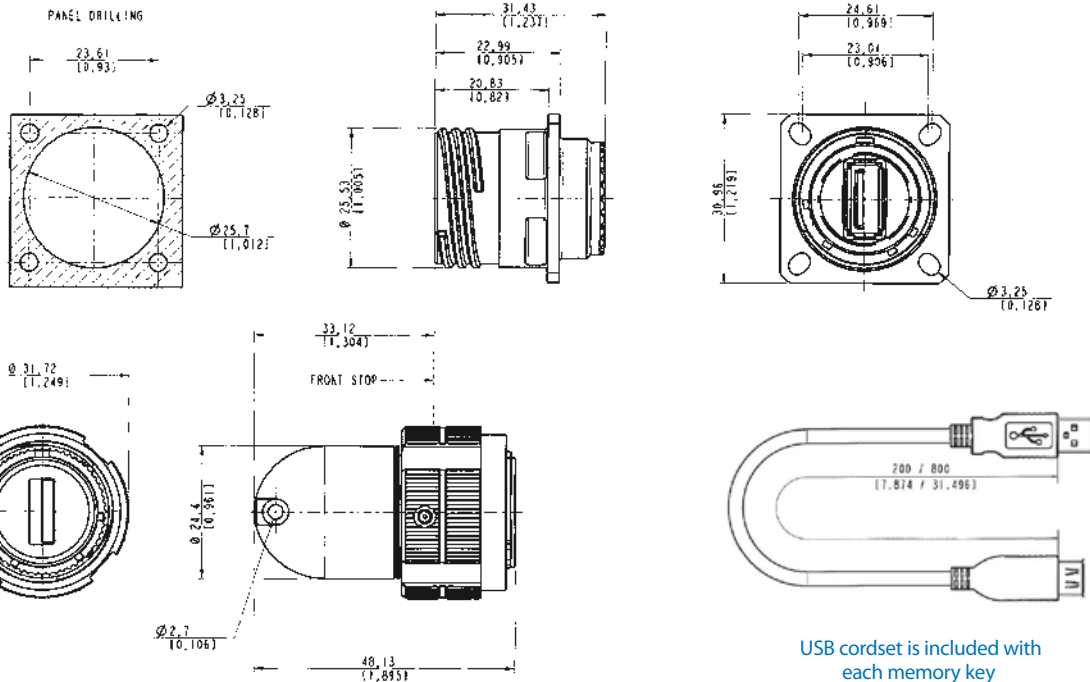
Dimensions of rugged USBFTV Key shown with receptacle USBFTV21x

## Environmental Protection

- Sealing: IP67 (when mated)
  - Salt Spray: 48 h with Nickel plating (ROHS)  
> 500 h with Olive Drab Cadmium
  - Vibrations: MIL-STD-810F method 514.5 fig 514.5.C cat 14
  - Temperature Range: - 40°C / +85°C (MIL-STD-810F)
- Data transmission during vibration and temperature tests

## Other features

- Type: USB2.0
- Voltage: 5V DC - 500 mA max
- Electromagnetic compatibility: 89/336/EEC and Part 15 Class B



USB cordset is included with each memory key

## DEFINITION OF PART NUMBER

USBFTV KEY 6 A 0256 N CAP

Beginning of every USBFTV Key part number. Remains unchanged.

**Coding position:**  
A: coding A  
B: coding B  
NB: please check the coding of your USBFTV receptacle\*

**Capacity of your USBFTV Key:**  
0256 | 0512 | 1024 | 2048 | 4096  
Other capacity, please consult us at [contact@rjfield.com](mailto:contact@rjfield.com)

**Plating:**  
"N": nickel plating  
"G": olive drab cadmium  
NB: please check the plating of your USBFTV receptacle

**Cap:** With cap  
**Blank:** Without cap

\* The coding can be changed on the receptacle using our tool USBFODE

EXAMPLE USBFTVKEY6A0256N: USBFTV KEY – CODING A – CAPACITY OF 256MO – NICKEL PLATING

EXAMPLE USBFTVKEY6A1024GCAP: USBFTV KEY – CODING A – CAPACITY OF 1024MO – OLIVE DRAB CADMIUM PLATING - PROTECTIVE CAP

# REINFORCED USB MEMORY KEYS



We provide reinforced USB memory keys available in different capacities. When mated, the system is IP67. Shells are metallic with 1/4 turn bayonet coupling.

**ROHS COMPLIANT**

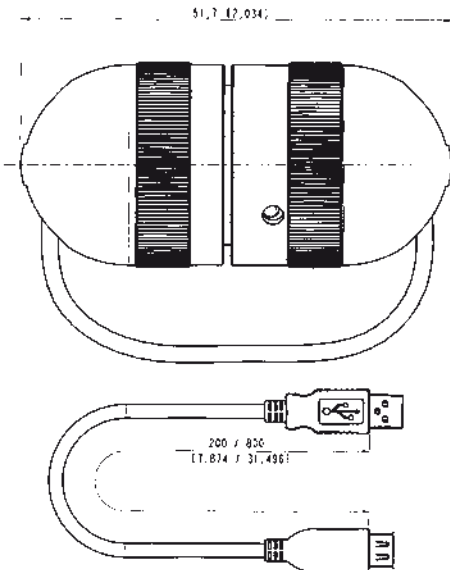
Dimensions of rugged USBF Key:

## Environmental Protection

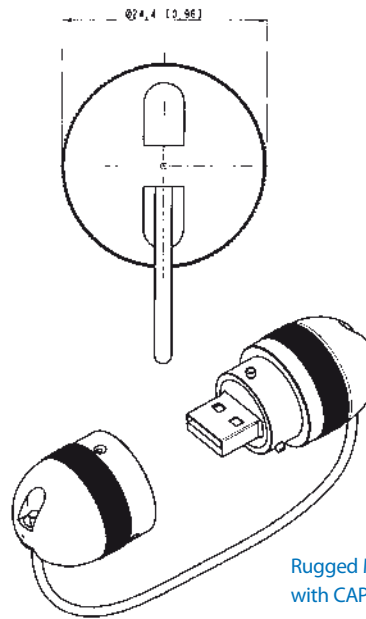
- Sealing: IP67 (when closed)
- Salt Spray: 48 h with Nickel plating (ROHS)  
> 96 h with Black coating (ROHS)  
> 500 h with Olive Drab Cadmium
- Vibrations: MIL-STD-810F method 514.5 fig 514.5.C cat 14
- Temperature Range: - 40°C / +85°C (MIL-STD-810F)

## Other features

- Type: USB2.0
- Voltage: 5V DC - 500 mA max
- Electromagnetic compatibility: 89/336/EEC and Part 15 Class B



USB cordset is included with each memory key



Rugged Metallic USB KE with CAP SEALING: IP 67

## DEFINITION OF PART NUMBER

USBF K EY

0256

N

Beginning of every USB Key part number. Remains unchanged.

### Capacity of your USBF Key:

- 0256
- 0512
- 1024
- 2048
- 4096

Other capacity, please consult us at [contact@rjfield.com](mailto:contact@rjfield.com)

### Shell finish:

- N: Natural
- G: Green
- B: Black

EXAMPLE: **USBFKEY0256N**: USB MEMORY KEY - CAPACITY OF 256MO - SHELL FINISH: NATURAL  
EXAMPLE: **USBFKEY1024G**: USB MEMORY KEY - CAPACITY OF 1024MO - SHELL FINISH: GREEN

HS Italia  
Tel. 0536 830620  
Fax. 0536 831215  
[www.hs-italia.it](http://www.hs-italia.it)  
[info@hs-italia.it](mailto:info@hs-italia.it)

