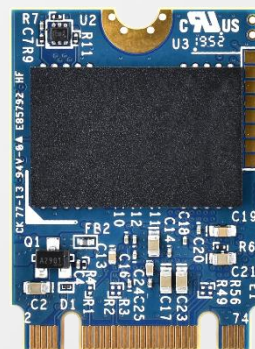


Apacer

The Most **Reliable** Storage For Industries

PV910-M230



HS ITALIA

Distributore ufficiale per l'Italia

+39 0536 830620

info@hs-italia.it

www.hs-italia.it

PV910-M230

Overview

Apacer PV910-M230 (M.2 2230) is the next generation modularized Solid State Drive (SSD) with the shape of all new M.2 form factor, aimed to be the more suitable for mobile and compact computers with standard width at only 22.00 mm. PV910-M230 appears in M.2 2230 mechanical dimensions and is believed to be the leading add-in storage solution for future host computing systems.



The M.2 SSD is designed with PCIe-based connector pinouts, providing full compliance with the latest PCIe Gen3 x2 interface specifications. Aside from PCIe compliance, PV910-M230 delivers exceptional performance and power efficiency. On the other hand, the extreme thin and light form factor makes PV910-M230 the ideal choice for mobile computing systems, which appears to be the trend in near future.

Regarding reliability, PV910-M230 is built with a powerful PCIe controller that supports on-the-module ECC as well as efficient wear leveling scheme. In terms of power efficiency, PV910-M230 is compliant with PCIe Gen3 x2 interface standard so that it can operate on power management modes, which greatly save on power consumption.

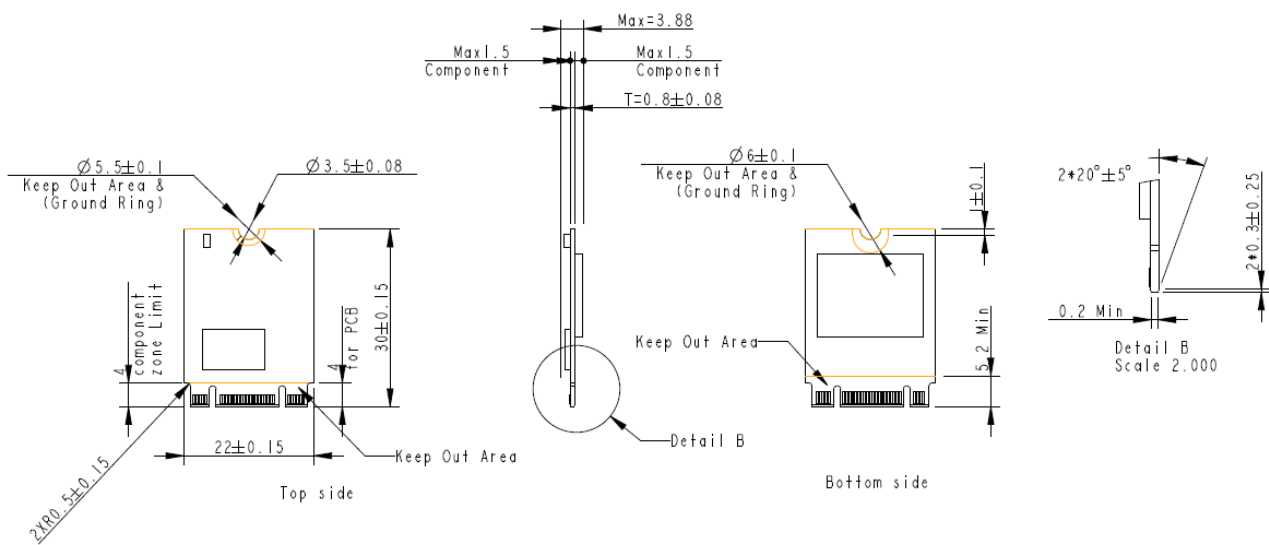
Feature

- Low-Density Parity-Check (LDPC) Code
- Global Wear Leveling
- Flash bad-block management
- Flash Translation Layer: Page Mapping
- Power Failure Management
- S.M.A.R.T.
- TRIM
- Hyper Cache Technology
- Over-Provisioning
- SMART Read Refresh™
- NVMe Secure Erase

Specifications

Model	PV910-M230
Interface	PCIe Gen3 x2
Connector	M.2 B & M key
Form Factor	M.2 2230
NAND Flash Type	3D TLC
Capacity	60GB~240GB
External DRAM	No
Sustained Read Performance (MB/sec)	Up to 890
Sustained Write Performance (MB/sec)	Up to 745
ECC Engine	Low-Density Parity-Check (LDPC) Code
IOPS (4K Random Write)	125K
Standard Operating Temperature (°C)	0 ~ + 70
Extended Operating Temperature (°C)	-40 ~ + 85
Storage Temperature (°C)	-40 ~ + 100
Thermal Sensor	Yes
Shock	Operation: 50G/11ms (compliant with MIL-STD-202G) Non-operation: 1500G/0.5ms (compliant with MIL-STD-883K)
Vibration	Operation: 7.69 Grms, 20~2000 Hz/random (compliant with MIL-STD-810G) Non-operation: 4.02 Grms, 15 ~ 2000 Hz/sine (compliant with MIL-STD-810G)
Operating Voltage	3.3V ±5%
Power Consumption	Active mode: 445 mA / Idle mode: 150 mA
Dimension (L x W x H)	30.00 x 22.00 x 3.88 (mm)
MTBF (hours)	>3,000,000

Mechanical Specification



Unit: mm

For more information,
contact your Apacer representative

Global Presence

Taiwan (Headquarters)
Apacer Technology Inc.
Tel: +886-2-2267-8000
Fax: +886-2-2267-2261

Europe
Apacer Technology B.V.
Tel: +31-40-267-0000
Fax: +31-40-290-0686

U.S.A.
Apacer Memory America, Inc.
Tel: +1-408-518-8699
Fax: 1-510-249-9551

China
Apacer Electronic(Shanghai)
Co., Ltd.
Tel: +86-21-6228-9939

Japan
Apacer Technology Corp.
Tel: +81-3-5419-2668
Fax: +81-3-5419-0018

India
Apacer Technologies Pvt. Ltd.
Tel: +91-80-41529061~3
Fax: +91-80-41700215