

# Apacer

The Most **Reliable**  
Storage For Industries

ST250-M280



**HS ITALIA**

Distributore ufficiale per l'Italia

+39 0536 830620

info@hs-italia.it

www.hs-italia.it

## ST250-M280

### Overview

Apacer's ST250-M280 is a well-balanced solid-state disk (SSD) drive with standard form factor and great performance. Designed in SATA 6.0 Gb/s interface, the SSD is able to deliver exceptional read/write speed, making it the ideal companion for heavy-loading industrial or server operations.

ST250-M280 utilizes 3D NAND for higher capacity up to 2TB and provides more power efficiency than 2D NAND. Appearing in M.2 2280 mechanical dimensions, ST250-M280 is believed to be the leading add-in storage solution for future host computing systems. Regarding reliability, ST250-M280 is implemented with LDPC (Low Density Parity Check) ECC engine to extend SSD endurance and increase data reliability while reading raw data inside a flash chip. In addition, the drive comes with various implementations including powerful hardware ECC engine, power saving modes, wear leveling, flash block management, S.M.A.R.T., TRIM and DataDefender™.

In terms of security, Advanced Encryption Standard (AES) ensures data security and provides users with a peace of mind. Furthermore, with End-to-End Data Protection, data integrity can be assured at multiple points in the path to enable reliable delivery of data transfers.



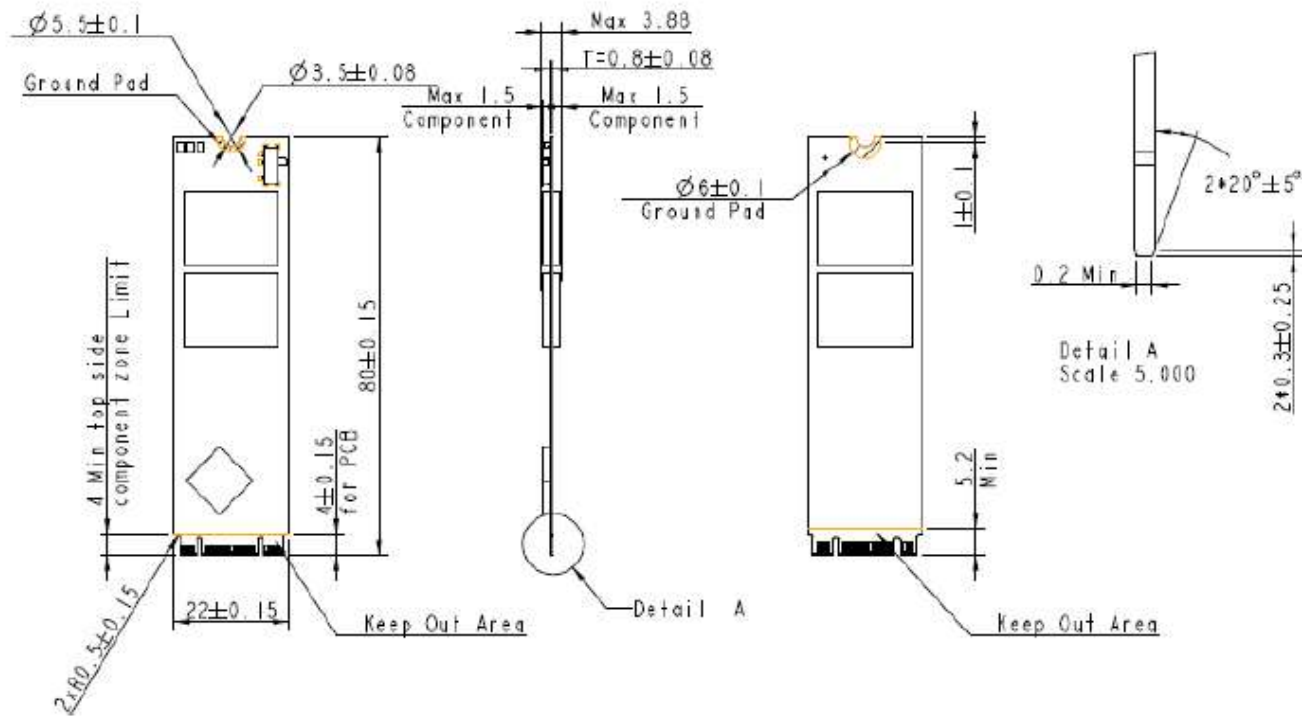
### Feature

- Low-Density Parity-Check (LDPC) Code
- Global Wear Leveling
- Flash bad-block management
- Flash Translation Layer: Page Mapping
- S.M.A.R.T.
- DataDefender™
- ATA Secure Erase
- Device Sleep
- TRIM
- Hyper Cache Technology
- SMART Read Refresh™

## Specifications

|  |  |
|--|--|
| <b>Model</b>                                 | ST250-M280   |
| <b>Interface</b>                             | SATA 3.2 (6Gb/s)   |
| <b>Connector</b>                             | 75-pin SATA-based M.2 module pinout  |
| <b>Form Factor</b>                           | M.2 2280-D5-B-M  |
| <b>NAND Flash Type</b>                       | 3D TLC   |
| <b>Capacity</b>                              | 128GB ~ 2TB  |
| <b>External DRAM</b>                         | No   |
| <b>Sequential Read Performance (MB/sec)</b>  | Up to 560  |
| <b>Sequential Write Performance (MB/sec)</b> | Up to 510  |
| <b>ECC Engine</b>                            | Low-Density Parity-Check (LDPC) Code   |
| <b>IOPS (4K Random Write)</b>                | 70K  |
| <b>Standard Operating Temperature ( °C )</b> | 0 ~ + 70   |
| <b>Extended Operating Temperature ( °C )</b> | -  |
| <b>Storage Temperature ( °C )</b>            | -55 ~ + 100  |
| <b>Thermal Sensor</b>                        | Yes  |
| <b>Shock</b>                                 | Operation: 50G/11ms<br>Non-operation: 1500G/0.5ms<br>(compliant with MIL-STD-883K)   |
| <b>Vibration</b>                             | Operation: 7.69 Grms, 20~2000 Hz/random<br>(compliant with MIL-STD-810G)<br>Non-operation: 4.02 Grms, 15 ~ 2000 Hz/sine<br>(compliant with MIL-STD-810G) |
| <b>Operating Voltage</b>                     | 3.3 V ± 5%   |
| <b>Power Consumption</b>                     | Active mode: 380 mA<br>Idle mode: 65 mA  |
| <b>Dimension (L x W x H )</b>                | 80.00 x 22.00 x 3.58 (mm)  |
| <b>MTBF (hours)</b>                          | >3,000,000   |

## Mechanical Specification



Unit: mm

For more information,  
contact your Apacer representative

### Global Presence

Taiwan (Headquarters)  
Apacer Technology Inc.  
Tel: +886-2-2267-8000  
Fax: +886-2-2267-2261

Europe  
Apacer Technology B.V.  
Tel: +31-40-267-0000  
Fax: +31-40-290-0686

U.S.A.  
Apacer Memory America, Inc.  
Tel: +1-408-518-8699  
Fax: 1-510-249-9551

Shanghai  
Apacer Electronic(Shanghai)  
Co., Ltd.  
Tel: +86-21-6228-9939

Japan  
Apacer Technology Corp.  
Tel: +81-3-5419-2668  
Fax: +81-3-5419-0018

India  
Apacer Technologies Pvt. Ltd.  
Tel: +91-80-41529061~3  
Fax: +91-80-41700215