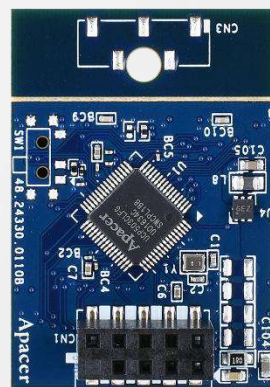


Apacer

The Most **Reliable**
Storage For Industries

UDM2A-M (Type C)



HS ITALIA

Distributore ufficiale per l'Italia

+39 0536 830620

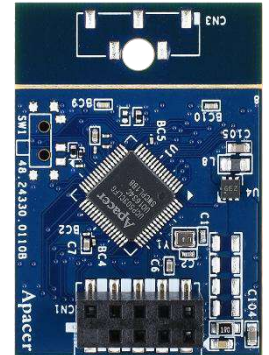
info@hs-italia.it

www.hs-italia.it

UDM2A-M (Type C)

Overview

Apacer's UDM2A-M is a high performance, highly reliable, high endurance USB2.0 flash disk module in a small form factor designed for embedded applications or the system as a boot drive .As a embedded flash storage, it's compliant with USB2.0 and backward compliable with USB1.1. , and connects to the host system via a 10-pin connector.



*The actual available memory on the device is less than what is listed on the package. This is due to small discrepancies in file formats and algorithms used by various operating systems. In addition, a portion of memory space is reserved for system files and data sectors for better performance.

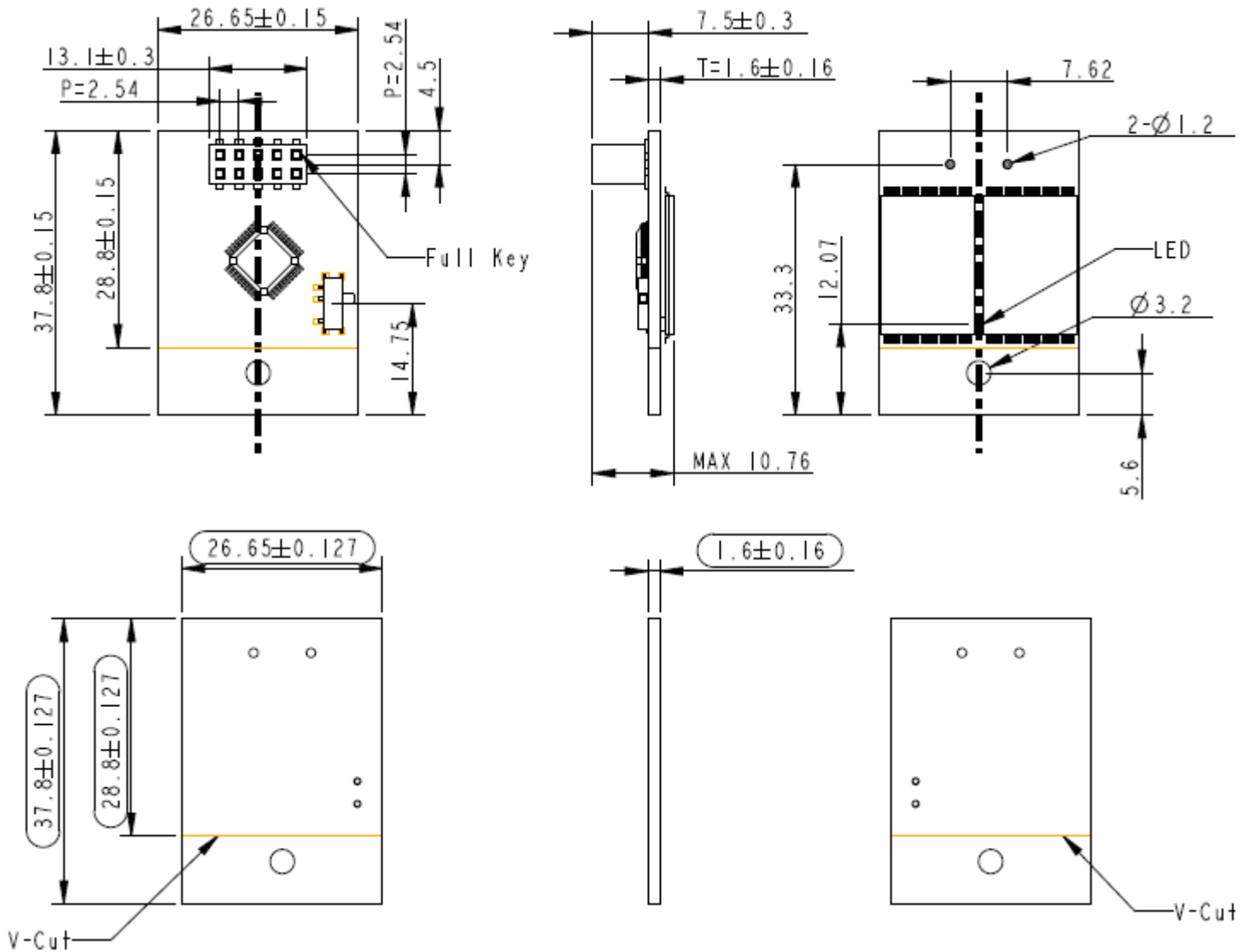
Feature

- Built-in hardware ECC
- Global wear-leveling
- Flash bad-block management
- S.M.A.R.T.

Specifications

Model	UDM2A-M (Type C)
Interface	USB2.0
Connector	10 pin USB(2x5) female header in 2.54mm
Form Factor	USB Disk Module
Transfer Mode	–
NAND Flash Type	MLC
Capacity	8GB~32GB
Sustained Read Performance (MB/sec)	Up to 44
Sustained Write Performance (MB/sec)	Up to 43
ECC Engine	Built-in 72-bit per 1K bytes BCH ECC
Standard Operating Temperature (°C)	0 ~ + 70
Extended Operating Temperature (°C)	-40 ~ + 85
Storage Temperature (°C)	-40 ~ + 100
H/W Write Protect	Optional
Shock	<p>Operation: Acceleration, 50(G)/11(ms)/half sine (compliant with MIL-STD-202G)</p> <p>Non-operation: Acceleration, 1,500(G)/0.5(ms)/half sine (compliant with MIL-STD-883K)</p>
Vibration	<p>Operation: 7.69(Grms), 20~2000(Hz)/random (compliant with MIL-STD-810G)</p> <p>Non-operation: 4.02(Grms), 15~2000(Hz)/random (compliant with MIL-STD-810G)</p>
Operating Voltage	5 V ± 5%
Power Consumption	Active mode: 125 mA & Idle mode: 50 mA
Dimension (L x W x H)	37.8 x 26.65 x 10.76 mm
MTBF (hours)	>1,000,000

Mechanical Specification



Unit: mm

For more information,
contact your Apacer representative

Global Presence

Taiwan (Headquarters)
Apacer Technology Inc.
Tel: +886-2-2267-8000
Fax: +886-2-2267-2261

Europe
Apacer Technology B.V.
Tel: +31-40-267-0000
Fax: +31-40-290-0686

U.S.A.
Apacer Memory America, Inc.
Tel: +1-408-518-8699
Fax: 1-510-249-9551

China
Apacer Electronic(Shanghai)
Co., Ltd.
Tel: +86-21-6228-9939

Japan
Apacer Technology Corp.
Tel: +81-3-5419-2668
Fax: +81-3-5419-0018

India
Apacer Technologies Pvt. Ltd.
Tel: +91-80-41529061~3
Fax: +91-80-41700215