

Apacer

The Most **Reliable** Storage For Industries

UV110-UFM1



HS ITALIA

Distributore ufficiale per l'Italia
+39 0536 830620
info@hs-italia.it
www.hs-italia.it

UV110-UFM1

Overview

Apacer's UV110-UFM1 is a high performance, embedded solid state drive (SSD) designed to replace a conventional IDE hard disk drive. As an embedded flash storage, UV110-UFM1 is compliant with USB2.0 and backward compliant with USB1.1 interface. Utilizing 3D NAND for capacity up to 256GB and providing more power efficiency than 2D NAND, UV110-UFM1 can be plugged into a standard Embedded USB connector commonly found in desktops, portable PC systems and industrial PC systems. Regarding reliability, UV110-UFM1 is implemented with LDPC (Low Density Parity Check) ECC engine to increase data reliability.



In terms of flash management, UV110-UFM1 adopts the latest page mapping file translation layer and comes with various implementations including power saving modes, wear leveling, flash block management, power failure management, S.M.A.R.T., Hyper Cache technology and Smart Read Refresh™. With cost-effective design, better performance and increased reliability, UV110-UFM1 is well suited for embedded flash storage applications offering new and expanded functionality.

Feature

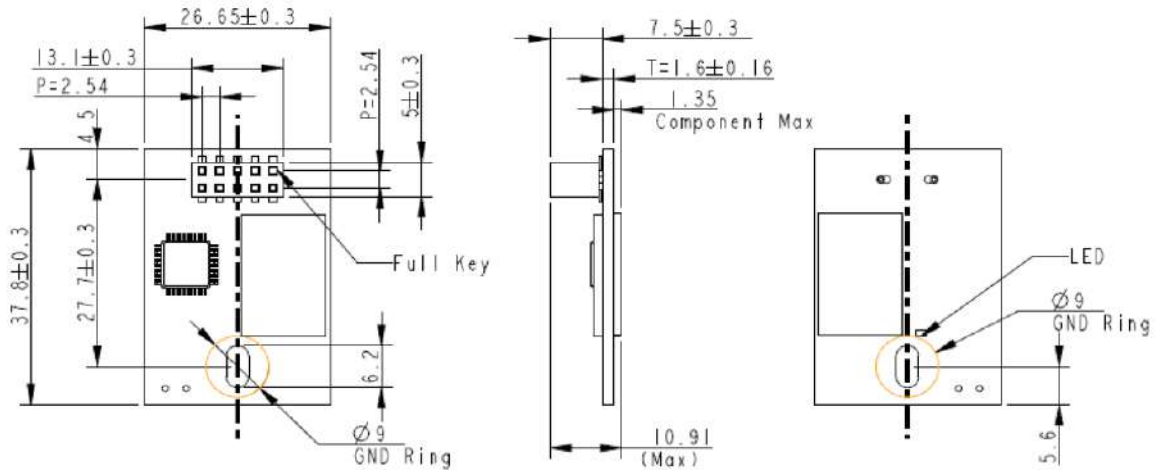
- Adopts advanced LDPC ECC engine with 3D NAND flash memory to improve reliability
- Global Wear Leveling
- Flash bad-block management
- Flash Translation Layer: Page Mapping
- S.M.A.R.T.
- Hyper Cache Technology
- SMART Read Refresh™
- Write Protect (Optional)

Specifications

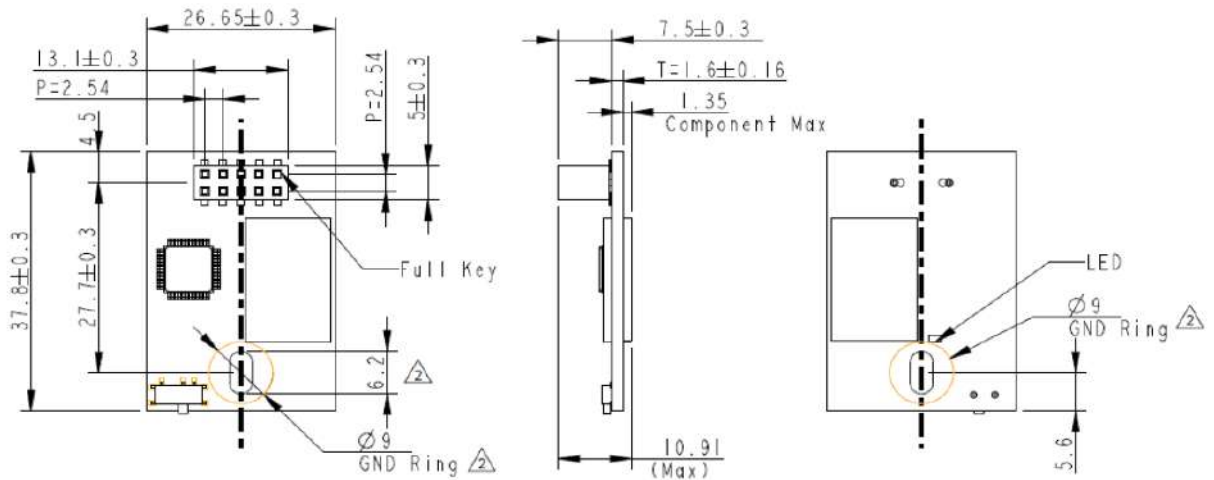
Model	UV110-UFM1
Interface	USB 2.0
Connector	10-pin (2x5) female header in 2.54mm
Form Factor	USB Disk Module
NAND Flash Type	3D TLC
Capacity	128GB~256GB
External DRAM	No
Sustained Read Performance (MB/sec)	Up to 37
Sustained Write Performance (MB/sec)	Up to 31
ECC Engine	Low-Density Parity-Check (LDPC) Code
IOPS (4K Random Write)	400
Standard Operating Temperature (°C)	0 ~ + 70
Extended Operating Temperature (°C)	-40 ~ + 85
Storage Temperature (°C)	-55 ~ 100
Housing	No
H/W Write Protect	Optional
Screw Hole	Yes
Shock	Operation: 50G/11ms (compliant with MIL-STD-202G) Non-operation: 1500G/0.5ms (compliant with MIL-STD-883K)
Vibration	Operation: 7.69 Grms, 20~2000 Hz/random (compliant with MIL-STD-810G) Non-operation: 4.02 Grms, 15~2000 Hz/random (compliant with MIL-STD-810G)
Operating Voltage	5.0 V ± 5%
Power Consumption	Active mode: 100 mA; Idle mode: 75 mA
Dimension (L x W x H)	37.80 x 26.65 x 10.91 (mm)
MTBF (hours)	>3,000,000

Mechanical Specification

Without Write Protect Switch



With Write Protect Switch



Unit: mm
Tolerance: ±0.2

For more information,
contact your Apacer representative

Global Presence

Taiwan (Headquarters)
Apacer Technology Inc.
Tel: +886-2-2267-8000
Fax: +886-2-2267-2261

Europe
Apacer Technology B.V.
Tel: +31-40-267-0000
Fax: +31-40-290-0686

U.S.A.
Apacer Memory America, Inc.
Tel: +1-408-518-8699
Fax: 1-510-249-9551

Shanghai
Apacer Electronic(Shanghai)
Co., Ltd.
Tel: +86-21-6228-9939

Japan
Apacer Technology Corp.
Tel: +81-3-5419-2668
Fax: +81-3-5419-0018

India
Apacer Technologies Pvt. Ltd.
Tel: +91-80-41529061~3
Fax: +91-80-41700215